



PD 40Y			
a.c. output	230 V	¹ max.kW	3,4
	50 Hz 1~	² cont.kW	3,3
power factor		cos ø	1
fuel		Diesel	
starting		electric	
alternator		synchronous	
engine		YANMAR L70AE	
cooling system		air	
displacement		c.c.	406
n° cylinders			1
prime power		HP	8,8
R.P.M.			3000
fuel tank capacity		lt.	5,5
¾ load operating hours		h	3
sound power level		L _{wA}	105
acoustic pressure at 7 mt.		dB(A)	80

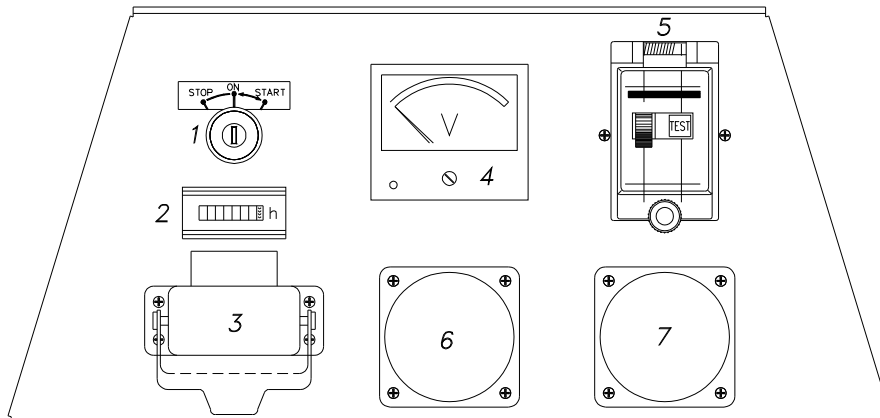
PD 40Y			
DIMENSIONS	L	725	mm
	W	515	mm
	H	585	mm
WEIGHT		87	kg

⁽¹⁾ **Stand-by power:**
power available for emergency

⁽²⁾ **Prime power:** maximum power
available at variable loads for an
unlimited numbers of hours

CONTROL PANELS

PD 40Y



- 1 Ignition key
- 2 Hour counter
- 3 Remote control connector
- 4 Voltmeter
- 5 Differential magnetothermal switch, 1P
- 6 Single-phase outlet, EEC 16A 230V 2P+GND
- 7 Single-phase outlet, EEC 16A 230V 2P+GND

OPTIONAL

- Automatic control panel
- Remote control panel
- Undergear